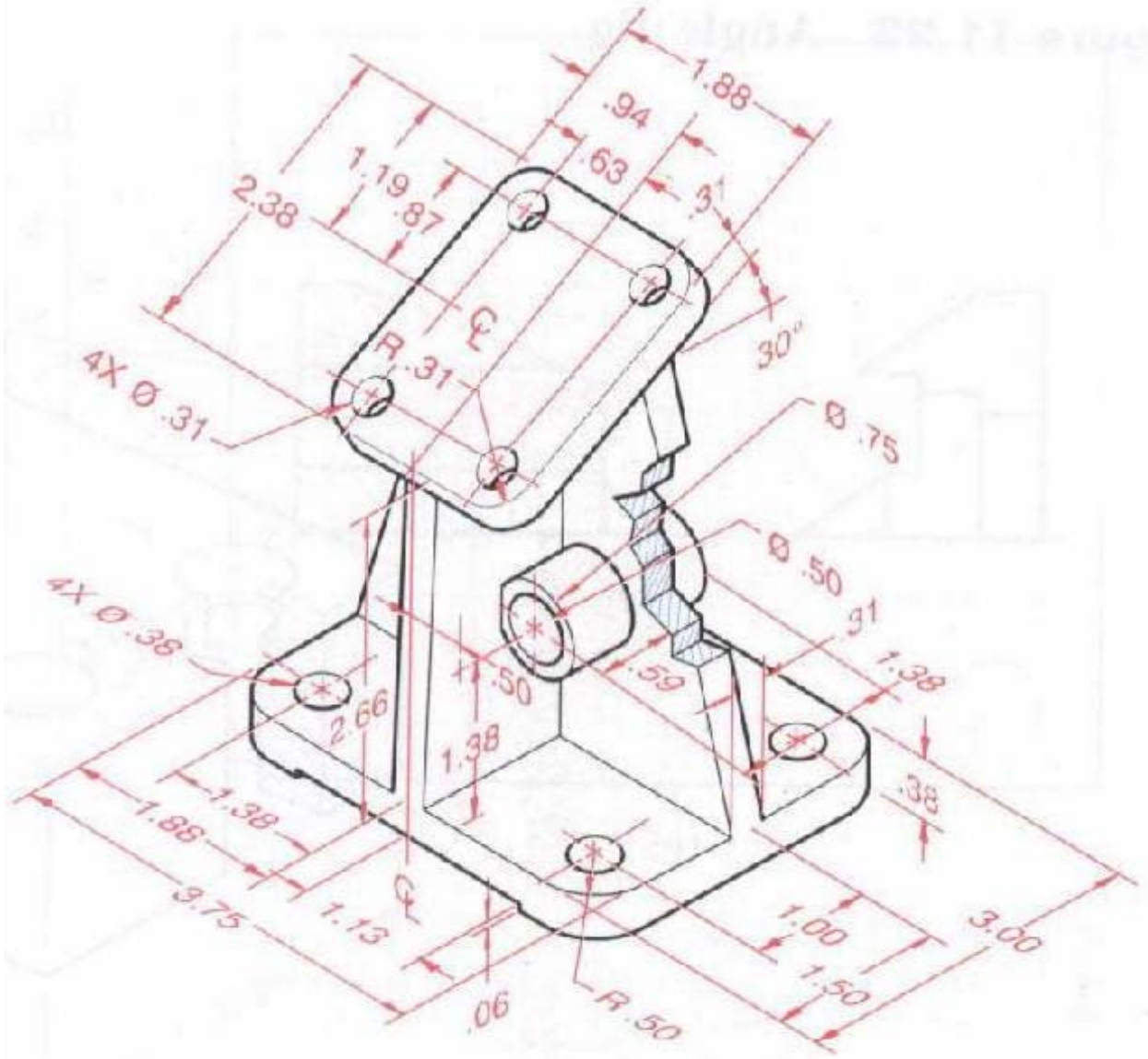
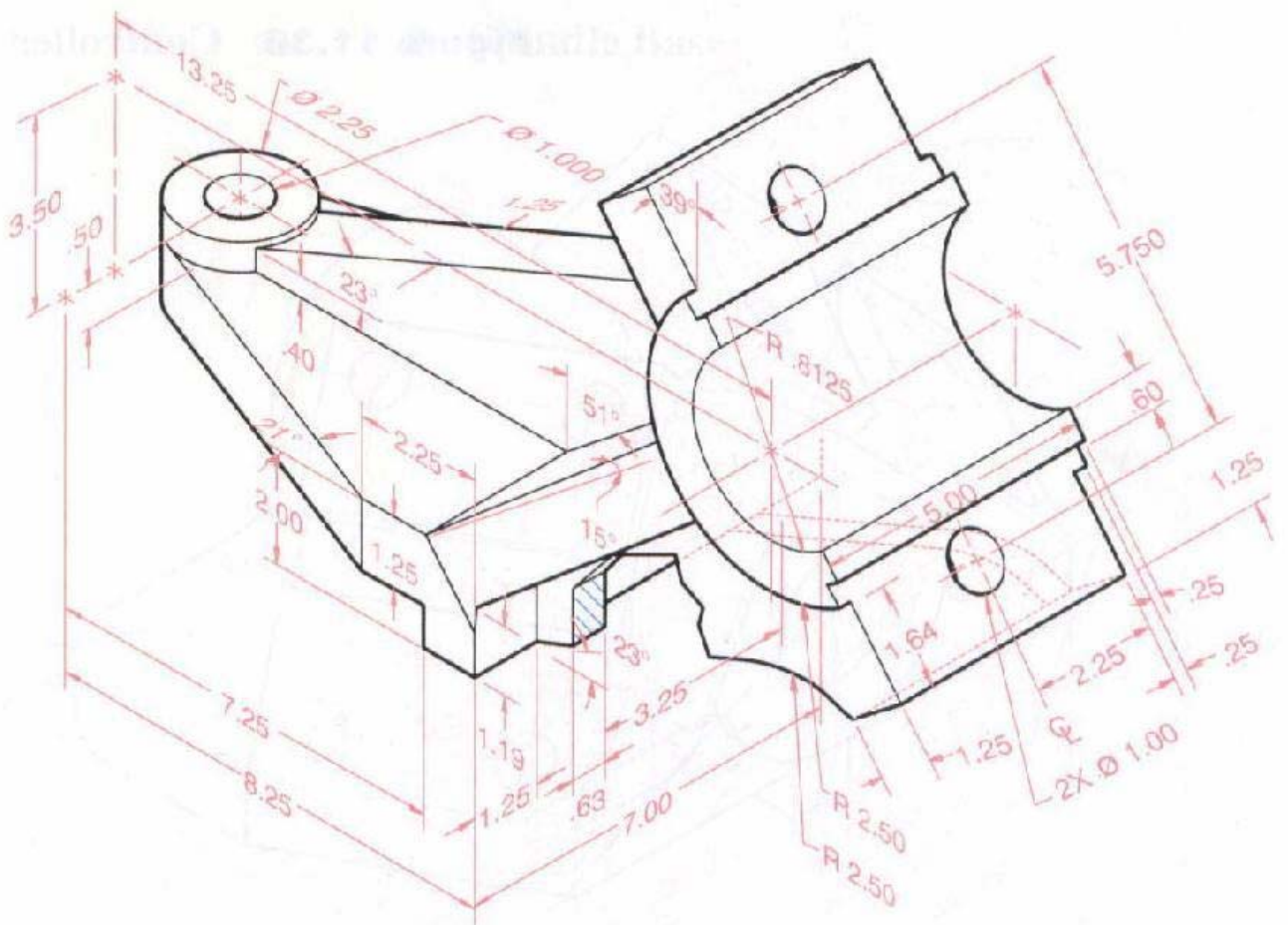


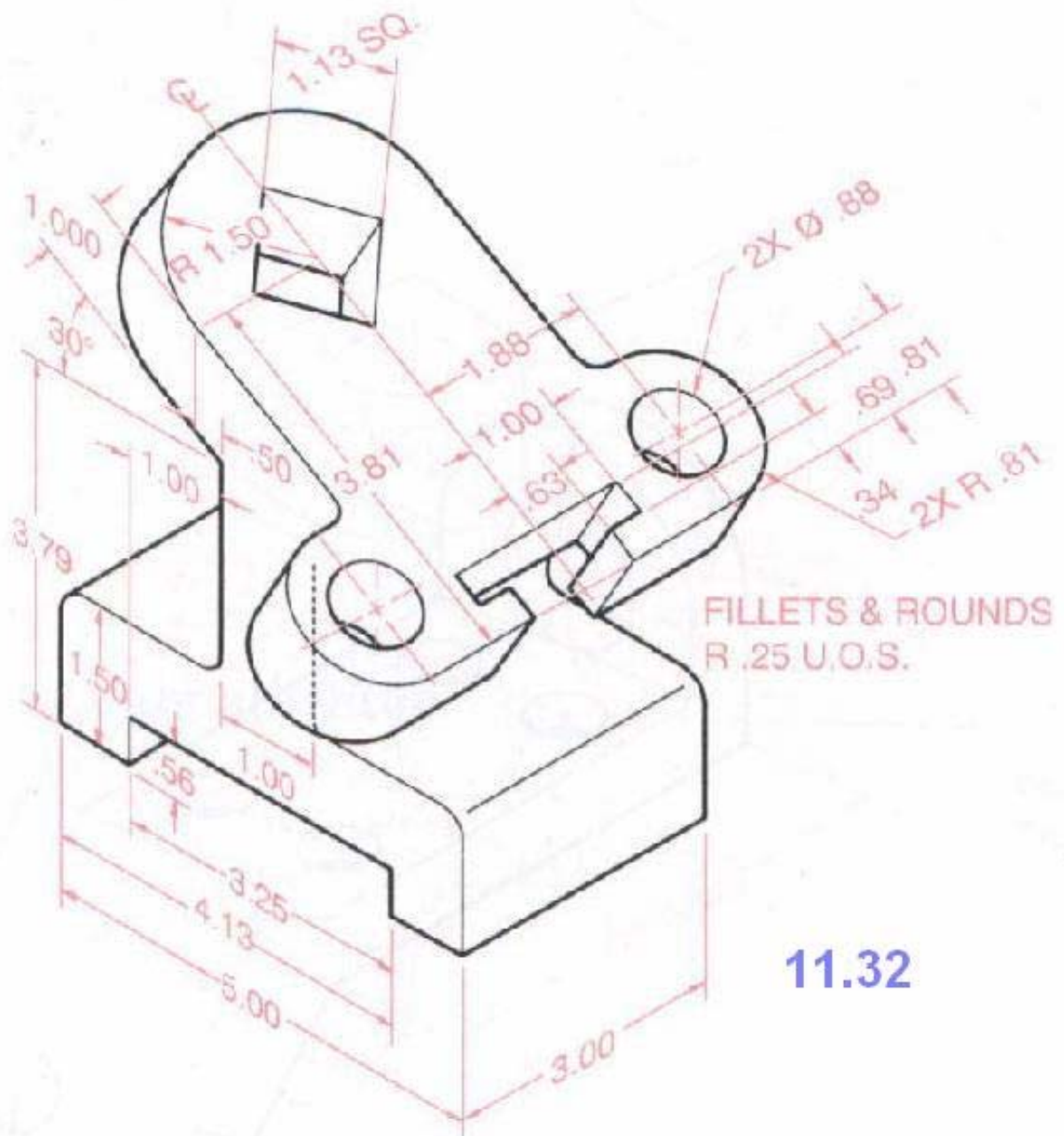
**11.24** Centering Jig



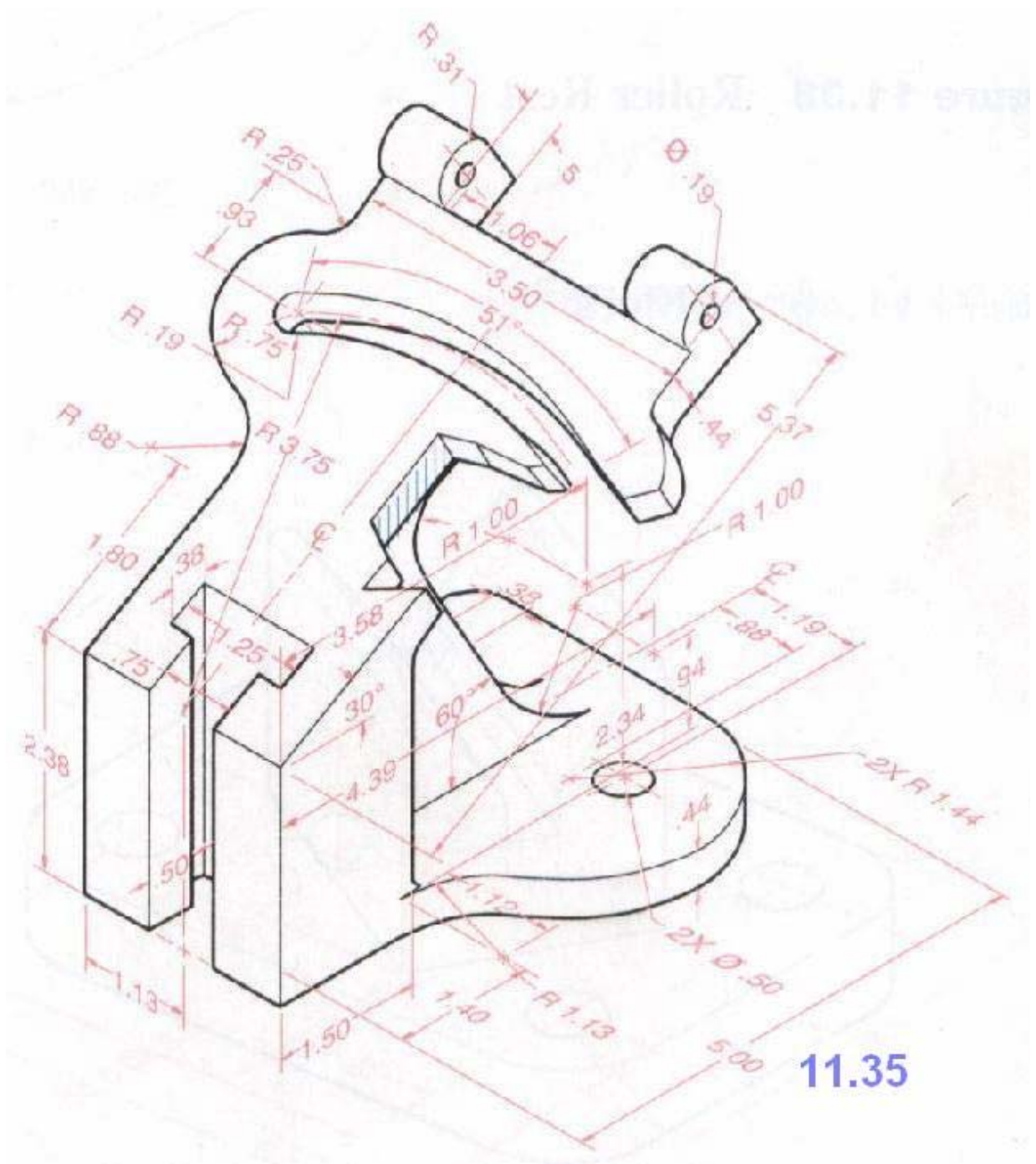
**11.29** Harness Base



**11.31 Bearing Support**



11.32



11.35